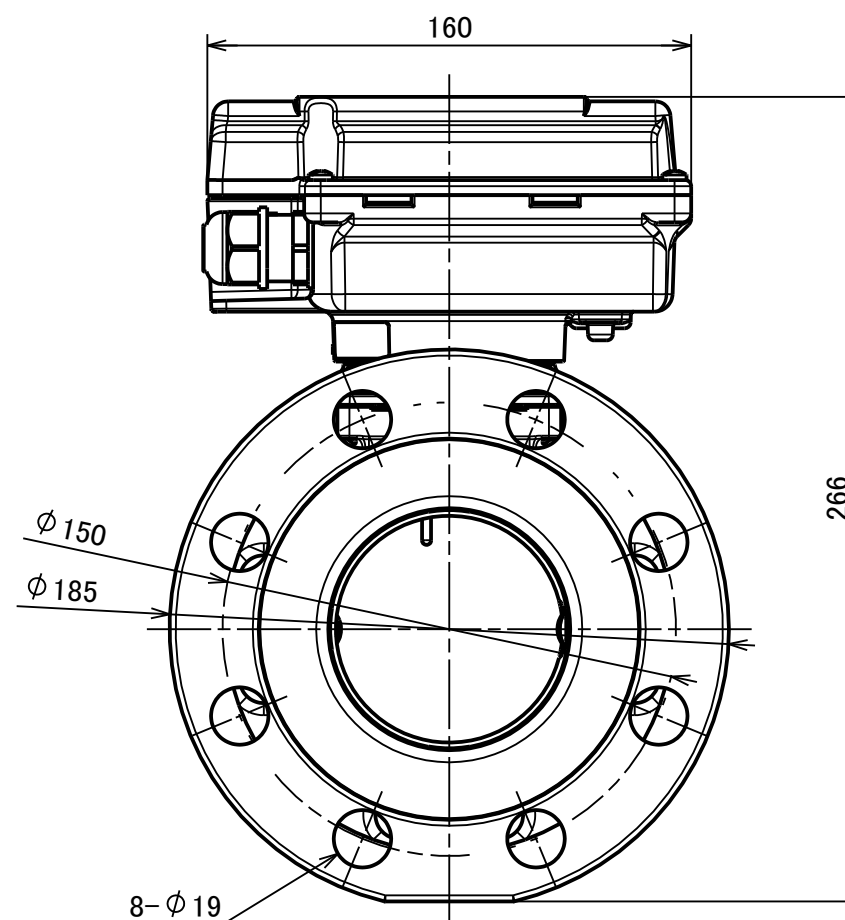
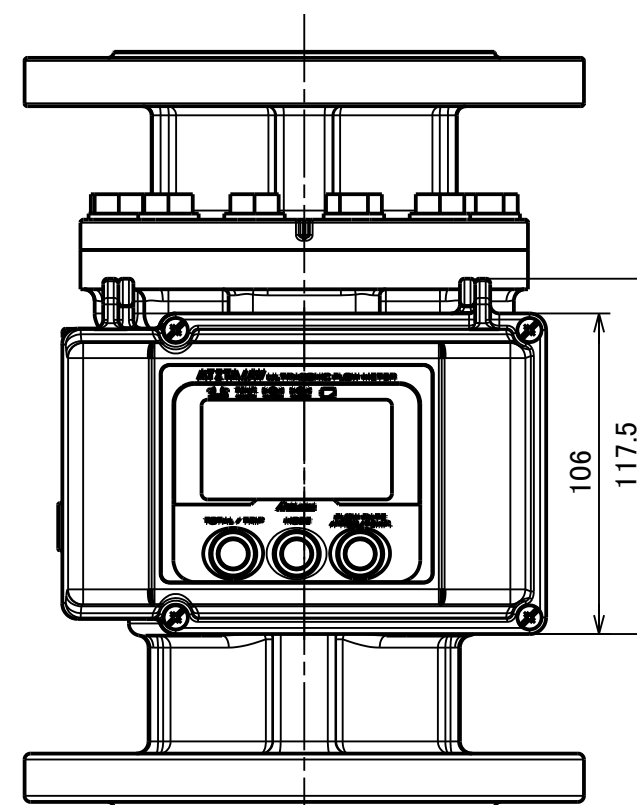
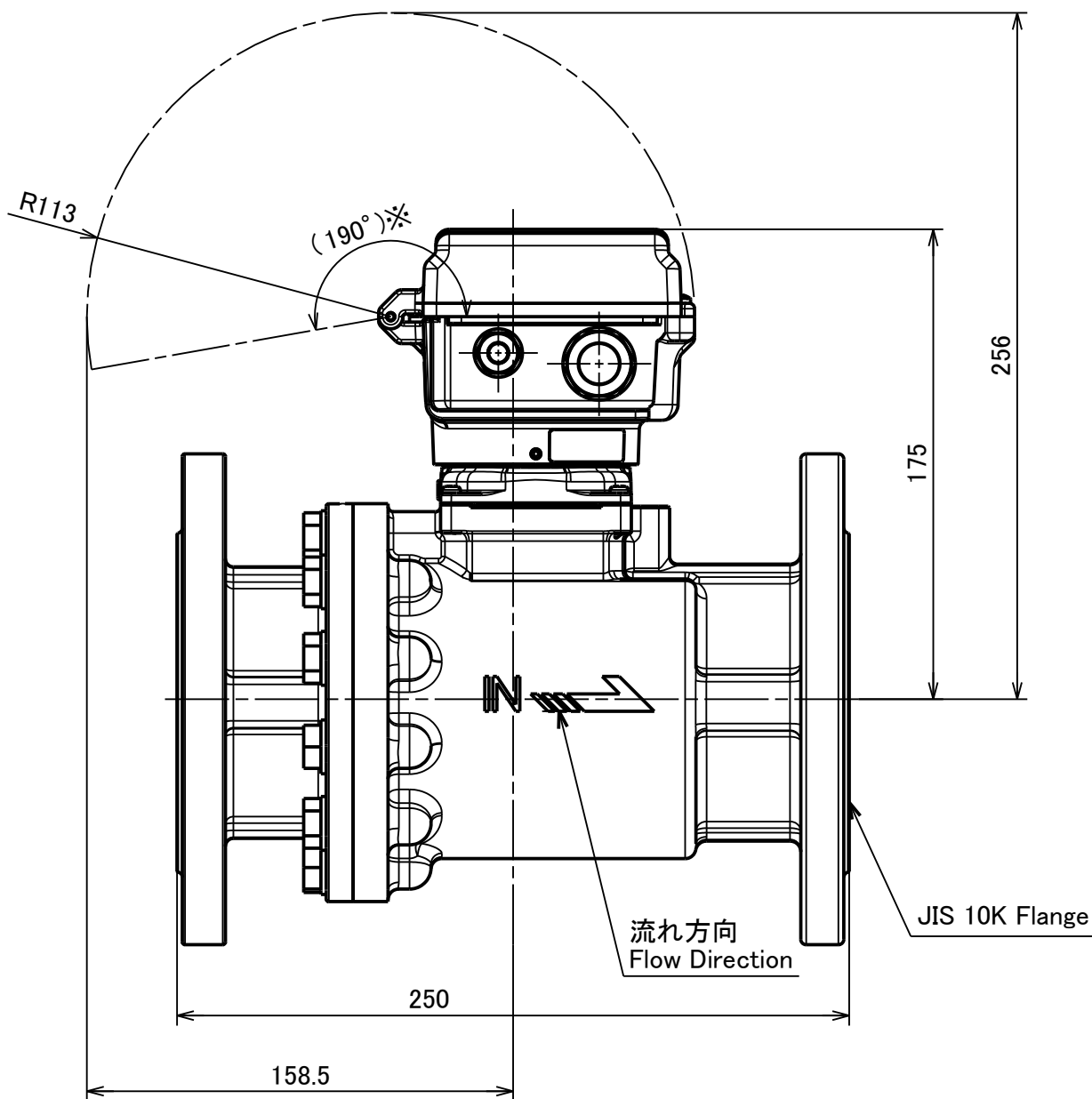


[圧力]の種類を以下に示す。0, 500, 1000  
 Selection of pressure sensor types, to be entered in "[圧力(pressure)]"  
 as the model, is shown as follows : 0, 500, 1000

[電源]の種類を以下に示す。BT, AC, DC  
 Selection of power supply types, to be entered in "[電源(power supply)]"  
 as the model, is shown as follows : BT, AC, DC

※メーター及び配管フランジに接触し破損の恐れがあるため、表示部フタはゆっくり開けてください。  
 Due to the risk of damage from contact with the meter or pipe flanges,  
 please open the cover slowly.



UW80-[圧力][電源]-D
型式 MODEL

尺度 SCALE	年月日 DATE 2024/03/12	名称 NAME Ultrasonic Flow Meter for Management of Fuel Gas	図番 DRAWING NUMBER UW80-[圧力][電源]-D
-------------	------------------------	---	--------------------------------------