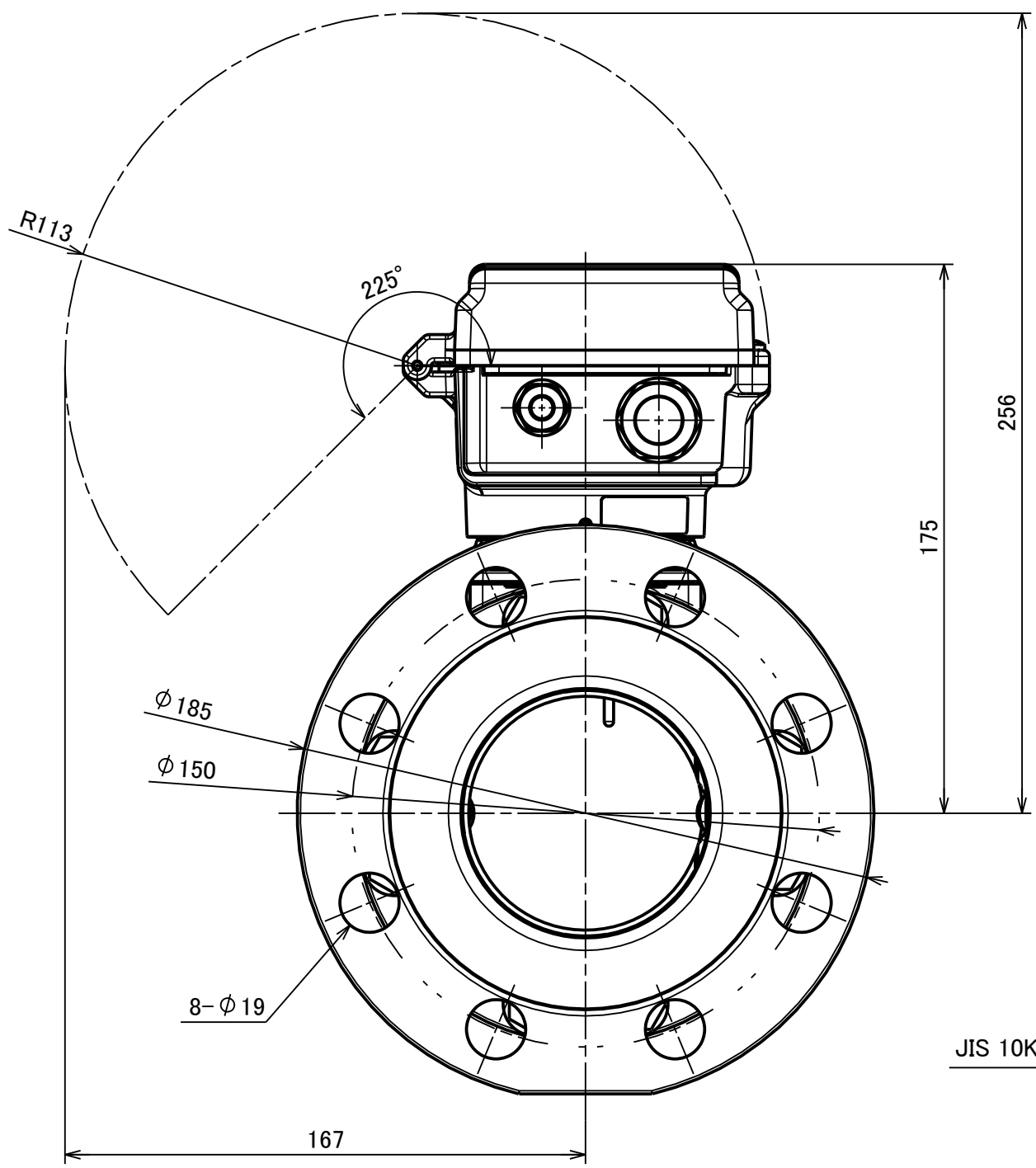
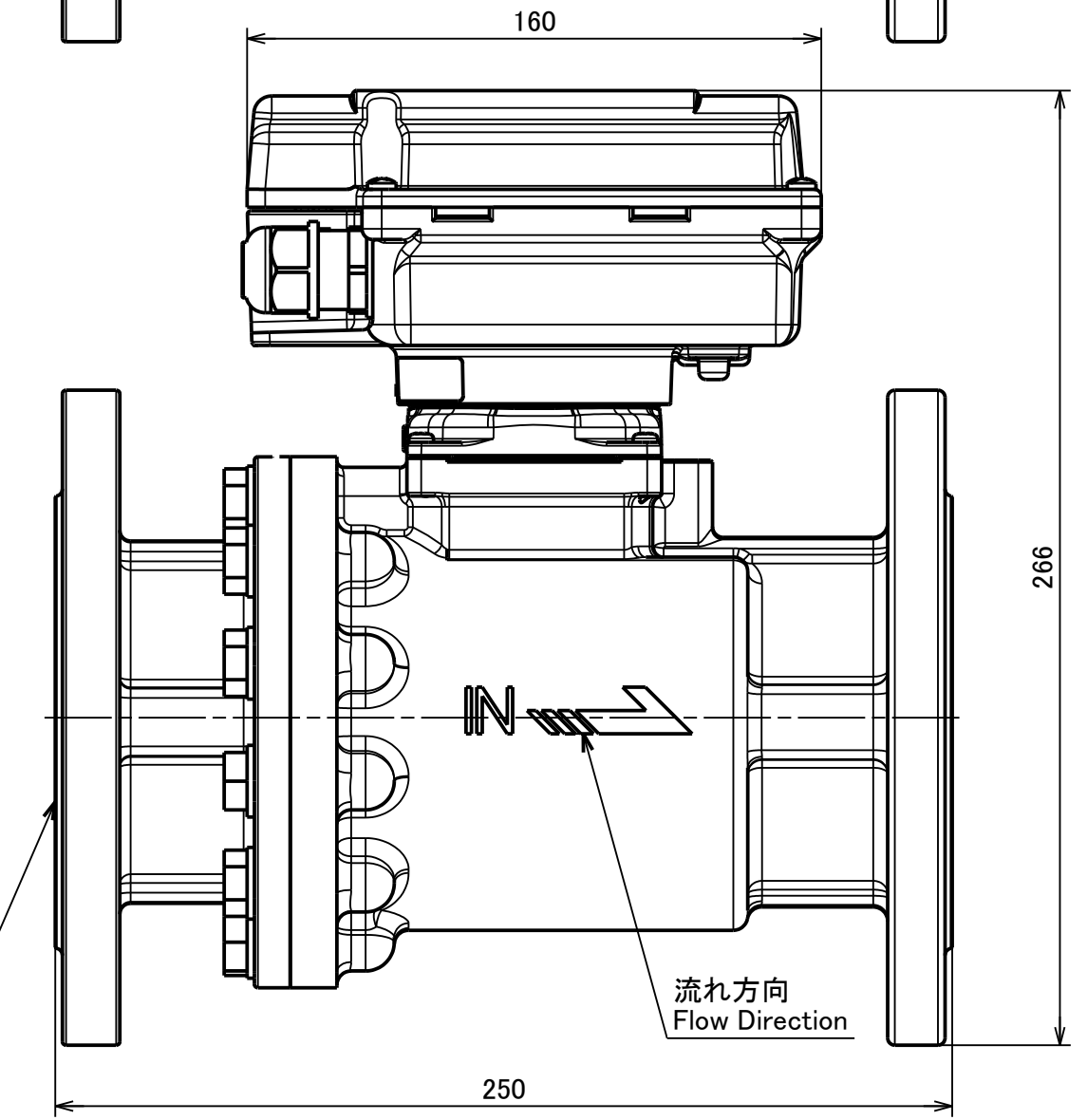
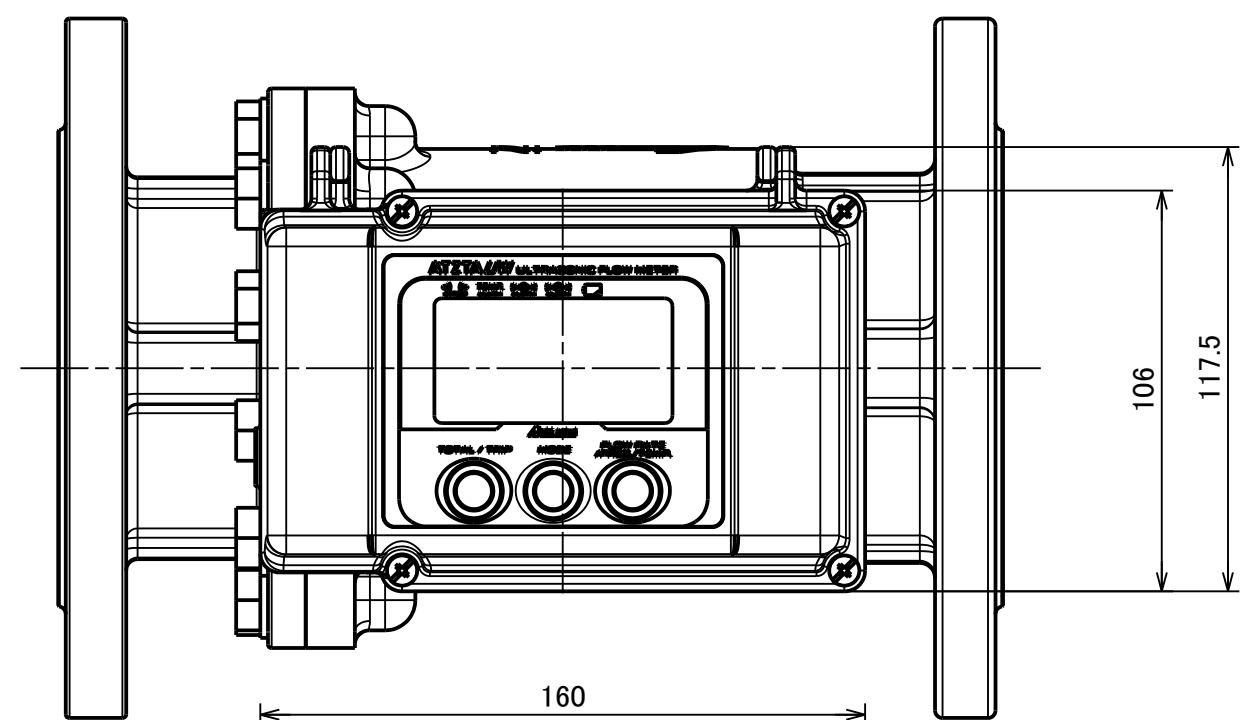


[圧力]の種類を以下に示す。0, 500, 1000
 Selection of pressure sensor types, to be entered in "[圧力(pressure)]"
 as the model, is shown as follows : 0, 500, 1000

[電源]の種類を以下に示す。BT, AC, DC
 Selection of power supply types, to be entered in "[電源(power supply)]"
 as the model, is shown as follows : BT, AC, DC



JIS 10K Flange



UW80-[圧力][電源]-L
型式 MODEL

尺度 SCALE	年月日 DATE 2024/03/12	名称 NAME Ultrasonic Flow Meter for Management of Fuel Gas	図番 DRAWING NUMBER UW80-[圧力][電源]-L
-------------	------------------------	---	--------------------------------------