

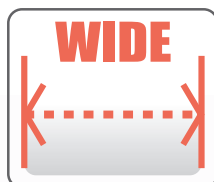
For Fuel Gas Control

Ultrasonic Flowmeter

ATZTA UX



Co-developed with Tokyo Gas



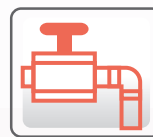
High performance over a wide range

Measures the flow accurately at lower rate than ever.
A wide range of 1:50 from min. to max. flow has been achieved.



Dust-proof, high durability

No filter is required.



Space saving with no straight pipe required

Measures the flow accurately even when attached to an elbow pipe, making the flowmeter suitable for installation at a small area.



Battery replaceable on site

Battery type (for five-year operation) is now available. The battery can be replaced on the site (with the dedicated lithium battery). AC power type (24VDC, 100VAC) is also available.



Various output modes

In addition to the unit pulse, 4-20mA and RS485 (Modbus/RTU compatible) are provided.

Application

- Measurement of low heat value (e.g. food)
- Small-sized furnace (e.g. melting pot)
- Flow monitoring of glass furnace (e.g. for ampoule, light bulb)
- Atmosphere control in furnace

Specifications

Model	UX15(25)-ODC	UX15(25)-OAC	UX15(25)-OBT
Power supply	External power supply 24VDC	External power supply 100VAC	Dedicated lithium battery *1
Connection caliber	UX15: Rc1/2 UX25: Rc1		
Target gas type *2	City gas (13A), butane (butane 70% and propane 30%), propane (propane 98% and butane 2%), nitrogen		
Liquid temperature	-10 to +60 °C (no condensation)		
Flow range	0.12 to 6 m ³ /h		
Precision	Actual flow rate *3	±2%RD (6m ³ /h or less to 0.6m ³ /h or more), ±0.5%FS (6m ³ /h or less to 0.12m ³ /h or more)	
	Temperature	±1.5 °C	
Low flow cut	0.024m ³ /h (maximum flow rate/250)		
Maximum pressure	100 kPa		
Pressure loss	200Pa or less (city gas 13A, standard atmospheric pressure +2.5kPa, maximum flow rate)		
Rated voltage	21.6 to 26.4 VDC	85 to 115 VAC	
Power consumption	2W or less (@26.4V/22mA)	10W or less (@22mA)	
Environmental temperature	-20 to +70 °C *No condensation		
Output	Analog	4 to 20mA DC (load resistance 400Ω or less) Choose from instantaneous flow rate and temperature.	
	Output 1 (flow rate pulse)	Unit pulse (Choose from 1, 10, 100, 1000, 10000L/P, default 1000L/P), duty 20 to 80% Nch open drain output (maximum load 24VDC, 50mA)	
	Output 2 (alarm)	Choose from upper and lower limit alarm and upper limit alarm for integrated value	Choose from low battery voltage and upper and lower limit alarm
Communication *4	RS485 Modbus/RTU compatible (Choose from 4800/9600bps)		
Measurement interval *5	0.5 sec		2 sec
Display	Main	Integrated flow amount: 8-digit integer with 2 decimal places, integrated trip flow amount: 7-digit integer with 2 decimal places Ultrasonic measurement error, temperature measurement error, battery voltage error (built-in battery only)	
	Sub	Instantaneous flow rate display: 5 digits, temperature display: 3 digits, pressure display: 4 digits Left to right or right to left facing the display *Choose upon order.	
Flow direction	Left to right or right to left facing the display *Choose upon order.		
Installation position	Horizontal or vertical (installation not available with display facing down and cable entry part facing up)		
Conversion function	Simple standard *6	Flow rate converted from actual flow rate at conversion reference temperature and 1 atmospheric pressure (with arbitrary fixed pressured entered)	
	Simple normal *6	Flow rate converted from actual flow rate at 0°C and 1 atmospheric pressure (with arbitrary fixed pressured entered)	
Main materials of gas connection part	Aluminum alloy, PPS		
Protection structure	Indoor and outdoor IP64 (JIS C 0920) Direct sunlight should be avoided.		
Weight	1.6 kg	1.7 kg	1.8 kg

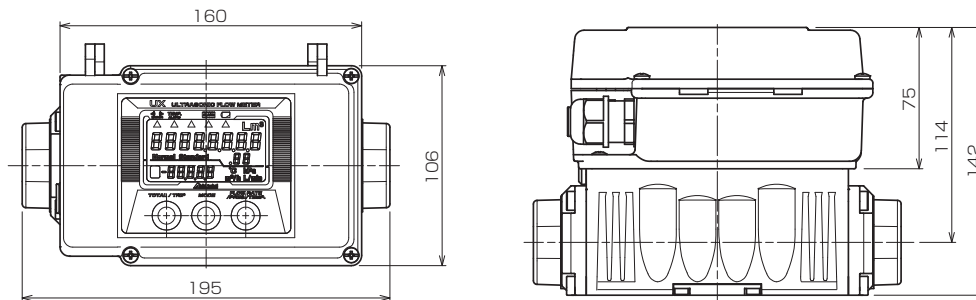
*1 The battery life is five years (at average environmental temperature 20°C), and the battery can be replaced on the site. *2 The gas type can be changed on the site.

*3 The actual flow rate refers to the volume flow rate (flow rate before compensation). *4 The communications specifications are available on our web site.

*5 The moving average can be selected from 1 to 16 times (default: 4 times). *6 The term "simple" here means that the pressure value is compensated by an arbitrary value (fixed value).

External dimensions

Unit: mm



Model code

Basic model	Caliber	–	Pressure sensor	Power supply	–	Flow direction	–	Gas type	Description
UX	15								UX
									15A
	25								25A
									Without pressure sensor
				0					Battery driven
					BT				DC power
					DC				AC power
					AC				Left to right
						L			Right to left
						R			13A
								13A	PRO Propane
								13A	BTN Butane
							13A	N2 Nitrogen	

Technical specifications in this catalog are up-to-date as of June 2020.

Manufactured and Distributed by

Aichi tokei denki co.,ltd.

URL : <https://www.aichitokei.net/>
1-2-70 Chitose, Atsuta-ku, Nagoya, 456-8691, Japan

For inquires, please contact us.

Overseas Business Division TEL +81-(0)52-661-5150

To Our Customers

Please understand that product specifications may be changed without notice in order to improve performance. We are always happy to provide the latest catalogs and brochures, and respond to inquiries made to our offices.

1.3

202006-UX15-000