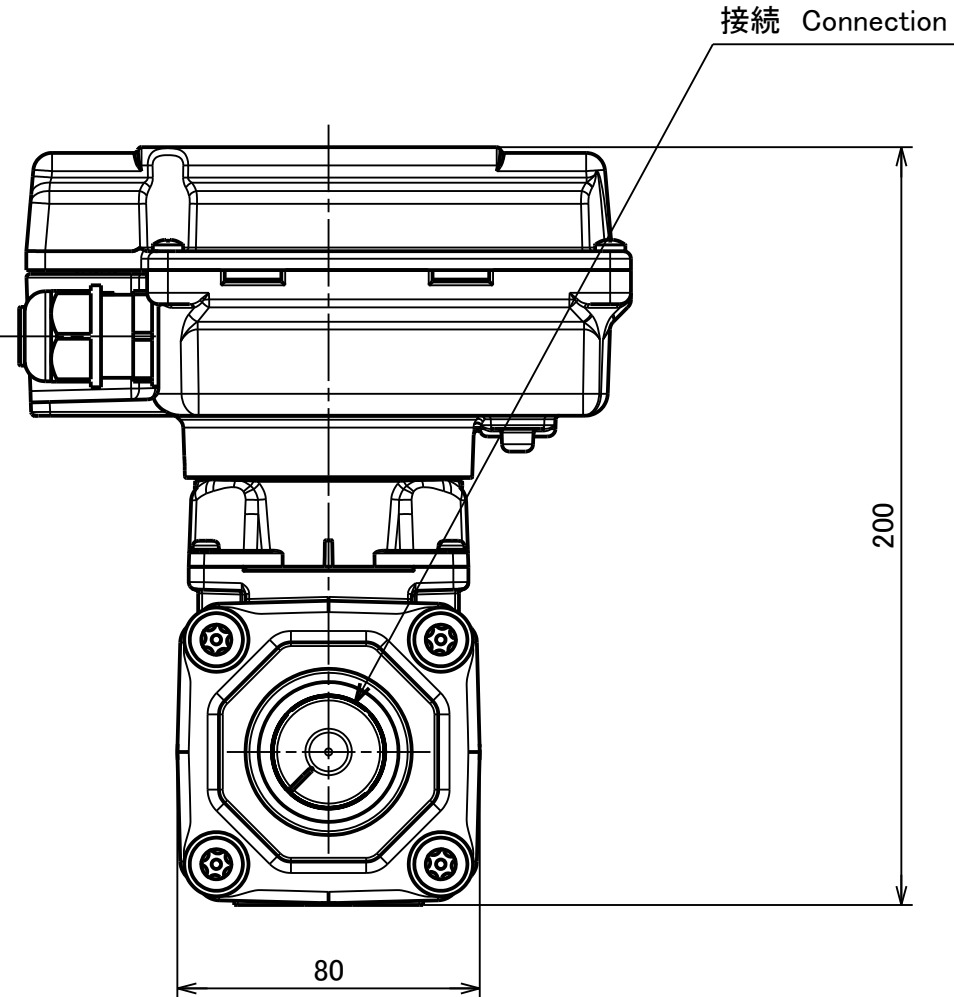
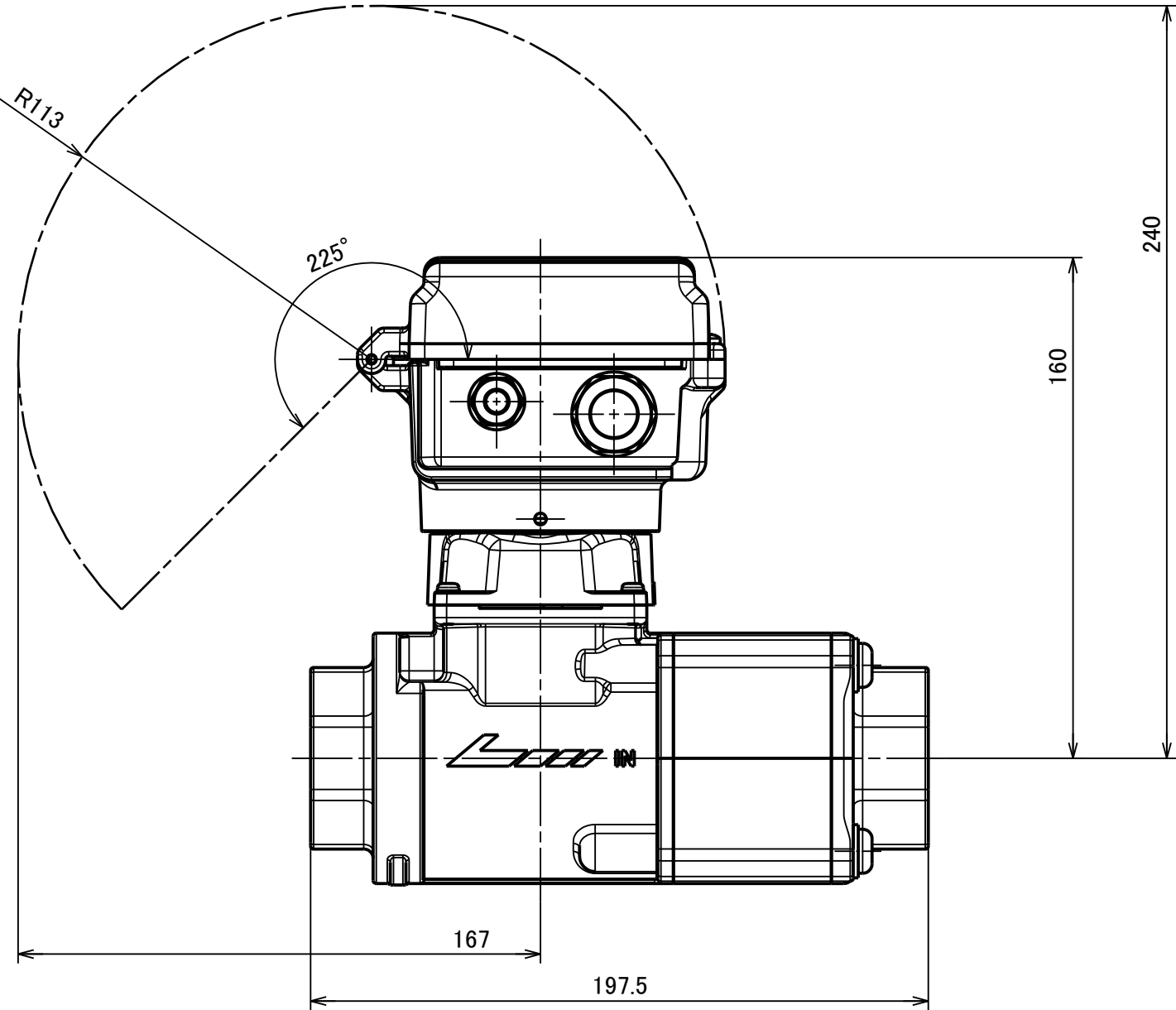


型式 Model	口径 Diameter	接続 Connection
UX25s-[圧力][電源]-U	25	Rc1
UX32-[圧力][電源]-U	32	Rc1・1/4

[圧力]の種類を以下に示す。0,100  
 Selection of pressure sensor types, to be entered in "[圧力(Pressure)]" as the model, is shown as follows: 0, 100

[電源]の種類を以下に示す。BT、AC、DC  
 Selection of power supply types, to be entered in "[電源(power supply)]" as the model, is shown as follows: BT, AC, DC

BT,DCのみCEマーキング及びUKCAマーキング有  
 CE marking & UKCA marking is applied for BT and DC types only.



UX32-[圧力][電源]-U
UX25S-[圧力][電源]-U
型式 MODEL

尺度 SCALE	年月日 DATE	名称 NAME	図番 DRAWING NUMBER
1 : 2	2022/11/25	Ultrasonic Flowmeter for Fuel Gas	UX[口径]-[圧力][電源]-U